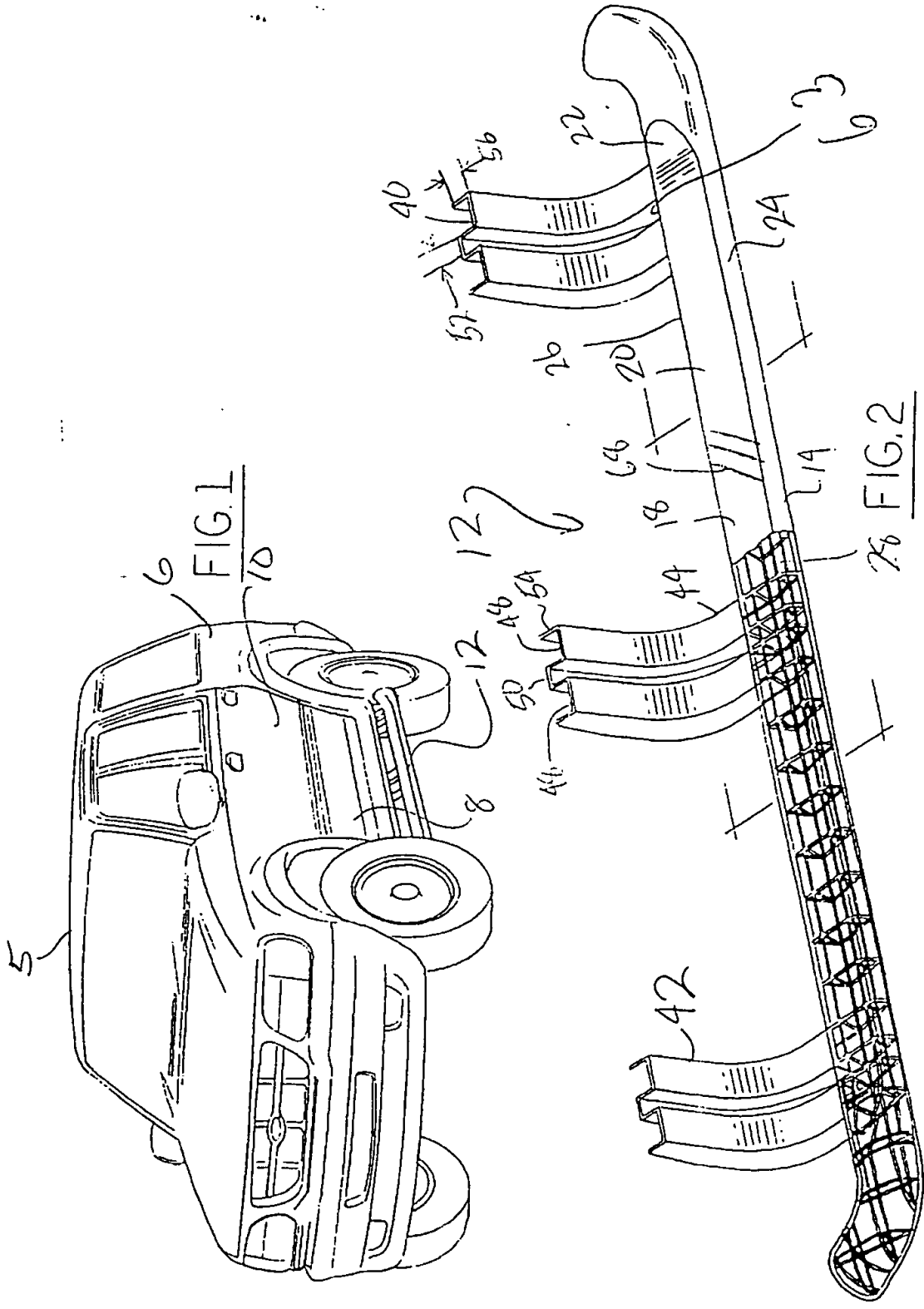


SEATBELT ASSEMBLY



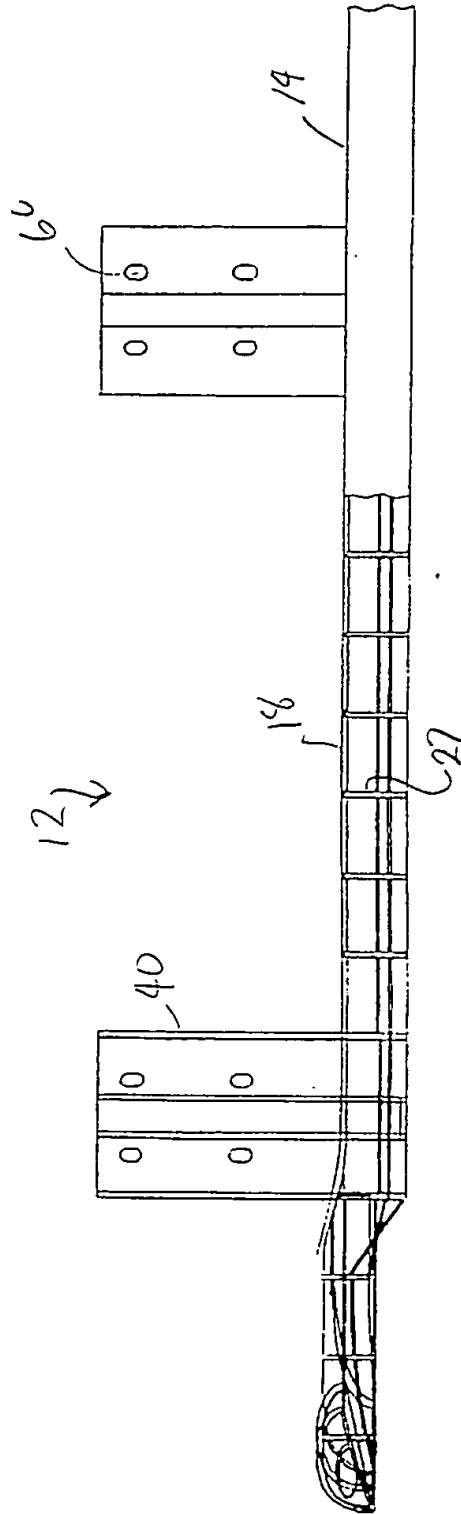
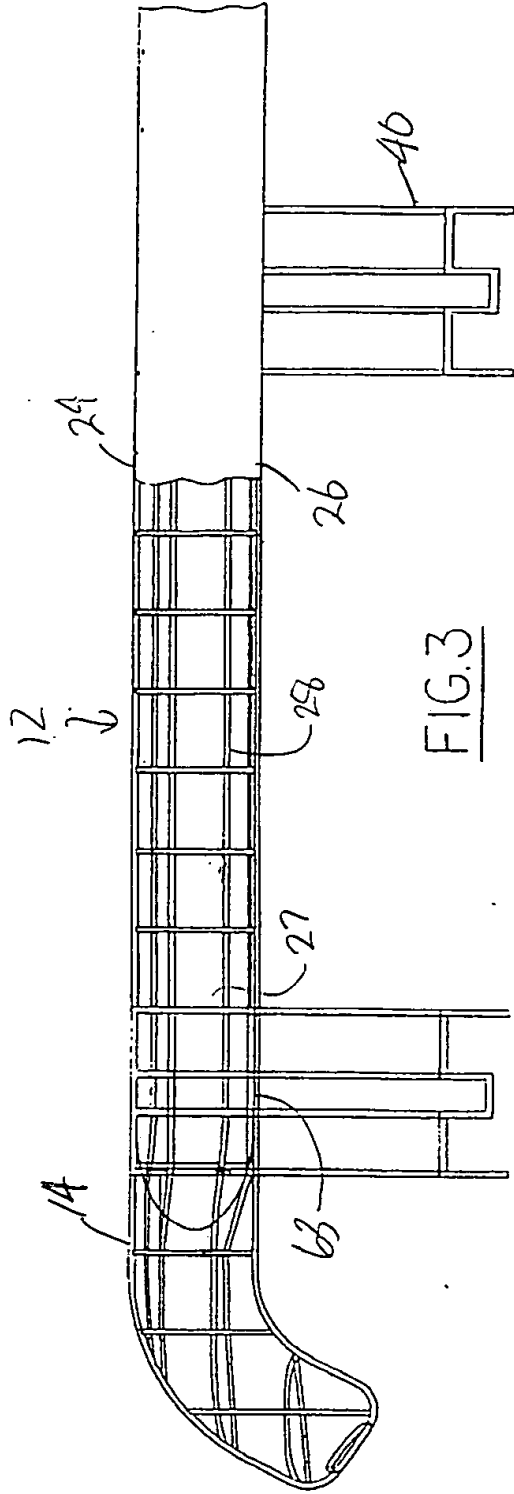


FIG. 5

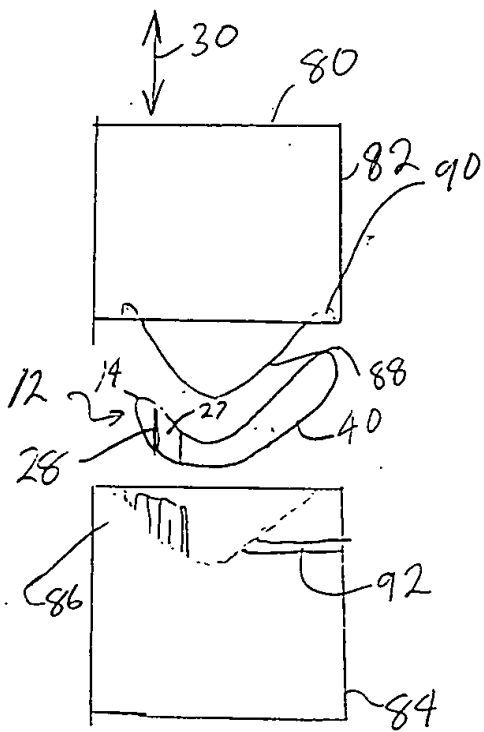
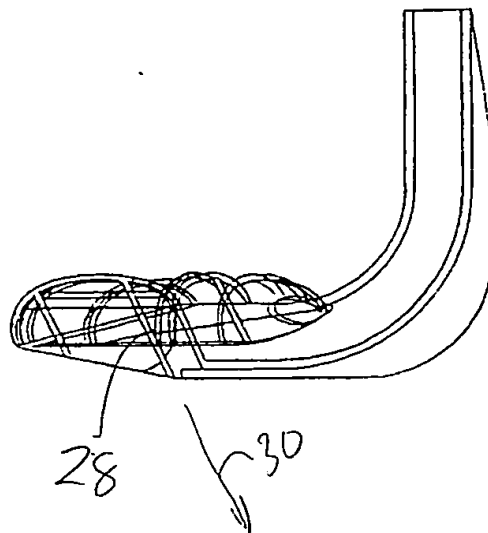


FIG. 7

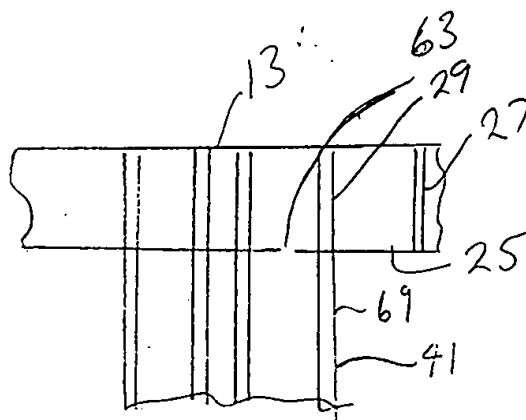


FIG. 6